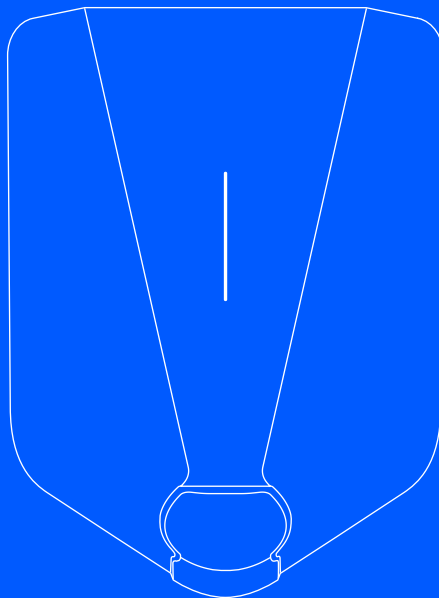


easee



EN Installer guide

Charge Lite

Introduction

Read the Important product information guide in the product packaging or at easee.com/manuals before installing the product.

Installation of this product requires a mobile device with NFC or Bluetooth support.

WARNINGS AND CAUTIONS

A Warning indicates a condition, hazard or unsafe practice that can result in serious personal injury or death.

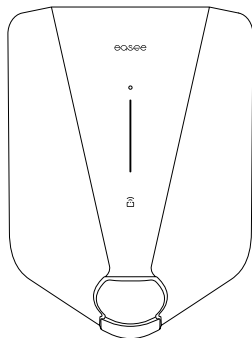
A Caution indicates a condition, hazard or unsafe practice that can result in minor personal injury or damage to the product.

WARNING

This product shall only be installed, repaired or serviced by an authorised electrician. All applicable local, regional and national regulations for electrical installations must be respected.

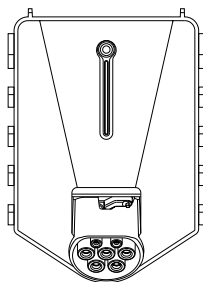
Charge Lite is a home-charging device manufactured and designed strictly for residential use only. Charge Lite chargers shall not be used for non-residential use. Residential use is to be understood as use in or around an individual's own residence. The Charge Lite charger at all times must make use of an individual's private connection to the electricity grid. Charge Lite chargers cannot be used for charging electric vehicles for which reimbursement is desired, based on the realized consumption of electricity. The Charge Lite charger cannot be used to calculate this consumption.

Product overview



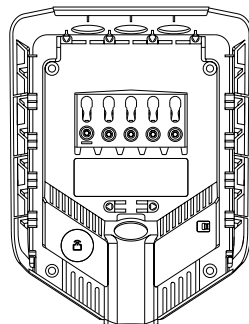
Front cover

Protects the electronics from external influences.



Chargeberry Lite (1.4-11 kW)

Contains the electronics for charging the vehicle.



Backplate (1.4-22 kW)

For attaching and connecting to the charging infrastructure.

Installation kit



Strain relief
x 2



Blind plug
x 3



Sealing plug
x 2



Strain relief and
front cover
screws (T25)
x 5



Wall screws
(T25)
x 4



Front cover tool
x 1

Technical specifications

General

Type designation	Easee AC Charger Platform CB-A3-2
Dimensions	256 x 193 x 106 mm (H x W x D)
Drilling hole distance	c/c 160 x 125 mm (H x W)
Operating temperature	-30 °C to +40 °C (indoor and outdoor use)
Weight	1.5 kg

Sensors and indicators

Light strip with LEDs showing the status of the charger
Touch button
Temperature sensors in all main contacts

Chargeberry technical specifications

Max charging power capacity	IT 3 phase: 3x 27 A = 6.37 kW TN 3 phase: 3x 16 A = 11 kW IT/TN 1 phase: 1x 32 A = 7,2 kW
Connection point	Type 2 socket (IEC 62196-2)
Number of phases	1 or 3 (fully dynamic)
Voltage	3x 230/400V AC (±10%)
Mains frequency	50 Hz
Built-in energy meter (±2 %)	

Backplate technical specifications

Max charging power capacity	1.4–22 kW 6 A 1 phase – 32 A 3 phase Up to 7.36 kW at 32 A 1 phase Up to 22 kW at 32 A 3 phase
Voltage	3x 230/400V AC (±10%)
Mains frequency	50 Hz

Connectivity

WiFi 2.4 GHz b/g/n connection

Easee Link RF™

Control charging via Easee App

RFID/NFC reader

OCPP 1.6 via Easee API

Bluetooth BLE 4.2

Protection

Integrated overload protection according to EN IEC 61851-1:2019

Built-in ground fault protection (30 mA AC/6 mA DC)

External approved Type-A RCD (1 phase: 2P; 3 phase 3P+N; max 40 A) is required

Degree of protection IP54 (the backplate is IP22 without cover)

Impact resistance IK10

Insulation class I

Overvoltage category III

Installation

Installation network TN, IT or TT (detected automatically)

Installation circuit breaker Max 40 A
Short circuit current limited to 10 kA

Wire cross-section Copper wire, between 2.5 and 16 mm²:
1 phase 32 A: 4.0 mm² to 16mm²
3 phase 16 A: 2.5 mm² to 16mm²
PE must have an equal or larger cross section as the phase wire
Use the largest possible wire cross-section to make the site future-proof

Cable diameter 8-22 mm

Terminal torque 5 Nm

Cable strip length 12 mm

Notes

Charging station is mode 3 equipment

Planning the installation

Prior to the installation, it is recommended that you consider future charging needs, so that you can easily expand accordingly in the future.

For an optimal result

- We always recommend a 3 phase installation if possible, to make it future-proof.
- If possible, use the largest approved cable cross-section (see [Technical specifications](#)).
- Consider installing Easee Ready backplates if there are plans for adding more chargers in the future.
- To avoid overloading the building's main fuse, the Easee Equalizer can be used for dynamic load balancing. The maximum current value can also be set as required during configuration.

RCDs

Easee Charge Lite shall be installed with an external Type-A RCD in front of each charge point!¹ Easee Charge Lite will disconnect the supply in case of DC fault currents above 6 mA, thus no external Type-B RCD is required. The internal DC fault protection is automatically tested at start-up, between every charging session or at least every 24 h.

The external RCD is not included with the charger and must be according to one of the following standards:

- EN 61009-1
- EN 61008-1
- EN 62423
- EN 60947-2

Overcurrent

Easee Charge Lite shall be installed with an external overcurrent protection device in front of each charge point. The external overcurrent device is not included

with the charger and must be according to one of the following standards:

- EN 61009-1
- EN 60898
- EN 60947-2
- EN 60269

A combined RCD and overcurrent protection device (RCBO), according to EN 61009-1, is typically the preferred choice recommended by Easee for a safe, user-friendly and cost efficient installation.

NOTES

- RCDs must disconnect all live conductors.
- For manual diagnostic and initialization of the RCD test, please use the Installer App and diagnostic tool.

Special considerations

- The equipment is intended for non-restricted access.
- The charging station is mode 3 equipment.
- **PIN code:** The PIN code is required for installation and located on the front of the Chargeberry. It is recommended to keep the PIN code for safe keeping, e.g. inside the fuse cabinet.
- **Site Key:** During installation, a Site Key must be used to assign the Charging Robots to the correct location in the Easee Cloud. A Site Key will automatically be generated when creating a new charging site using the Easee Installer App or it can be obtained by creating a new charging site at [easee.cloud](#).



CAUTION

This device can emit electromagnetic radiation, including high-frequency electromagnetic radiation.

¹ Easee will continue to challenge the standards and fight to ensure that new and safer technology can gain ground. Until further notice, an external RCD is required.

Your house, power grid and EV

The Charging Robot automatically adapts to the power grid, the electric car and the capacity of the electrical installation. In the table you can see what charging effect you can expect from your installation and situation. The table is only meant as a guide.

CAUTION

The type of installation as well as cable cross-sections must be determined by a qualified electrician in accordance with valid local, regional and national regulations for electrical systems.

Load	Chargeberry power (Charge Lite)	
Ampere (A)	1 phase (kW)	3 phase (kW) ²
6	1.4	4.1
8	1.8	5.5
10	2.3	6.9
13	3.0	9
16	3.7	11
20	4.6	-
25	5.8	-
32	7.4	-

Padlock

It is possible to lock the electronics with a padlock. This will create an extra layer of security (padlock is not included).

Max total lock height	56 mm
Shackle height (outer dimensions)	19 - 20 mm
Shackle thickness	3.2 - 4 mm

² Example for 400 V TN, deviating values for other grid types.

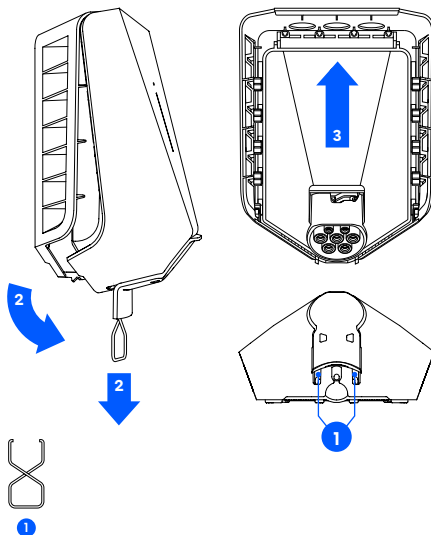
Installation instructions

⚠ WARNING

Always work with the power off and in accordance with local regulations. Use extreme caution and follow instructions carefully.

1 Charging Robot Opening

- 1 Bend down the lower part of the rubber cover and insert the two ends of the front cover tool into the two openings at the bottom of the front cover.
- 2 Pull the tool until the front cover comes loose and remove the cover.
- 3 Grasp the Type 2 socket and push upwards with good force until the Chargeberry disconnects. Make sure you do not touch the cable locking mechanism.

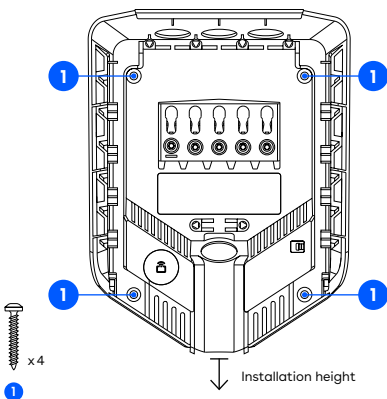


2 Backplate Mounting

- 1 Fix the backplate to a solid, non-perforated wall or structure with sufficient load-bearing capacity using the 4 wall screws provided in the mounting kit. Use suitable wall plugs for mounting and observe the local regulations for recommended installation height.

⚠ CAUTIONS

- The installation wall must cover the entire back of the product. If this is not possible to achieve, it is possible to use the Easee Mount.
- The area should not be exposed to direct rain, direct sunlight or explosive gases. A physical barrier is recommended to protect the charger.
- Install at a height of 130–140cm, with an angle no more than +/- 3 degrees from vertical. Suggested installation height for accessibility: 80–95 cm.

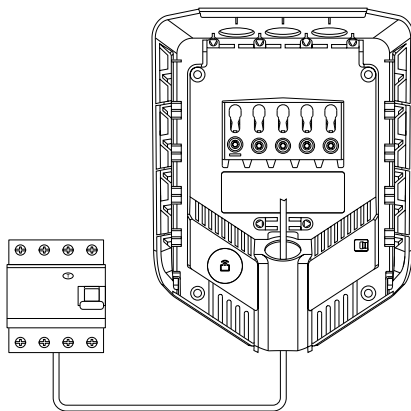


3 Fuse box / enclosure Adding external protection

External Type A RCD protection is required for each backplate with Charge Lite. The RCD must meet the regulations and requirements stated in [Planning the installation](#).

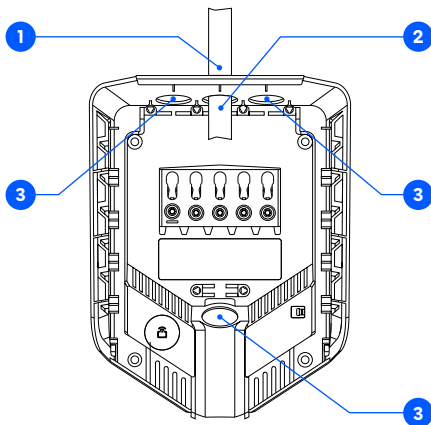
NOTE

If you will have multiple charging points at the same time, you must have a requisite external Type A RCD protection for each backplate with an Charge Lite charger. Examples can be found at [support.easee.com](#).



4 Backplate Preparing

- 1 Shorten the sealing plug to fit the cable. The hole should be slightly smaller than the cable to ensure a good seal.
- 2 Insert the cable through one of the 4 cable entries and secure it to the backplate with the strain relief provided.
- 3 Close all cable entries that are not in use with the supplied blind plugs.



x1

1



x2

2



x3

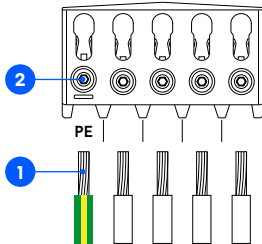
3

5 Backplate Wiring

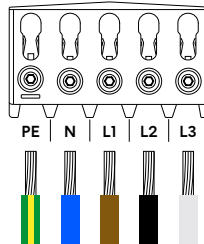
- 1 Strip each wire, exposing 12 mm of copper on each. If the cable has flexible conductors, then you must use ferrules on stranded wires to make the connection. Use the correct tools to press them.
- 2 Tighten the screw terminals with a torque of 5 Nm.

NOTES

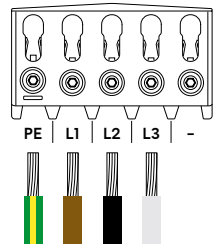
- It is recommended to follow the existing colour codes used in the installation. Depending on national standards, the colours of the cables can vary from the illustrations. The illustrations in this manual follow the IEC 60446 standard.
- Before turning the power on, make sure the wires are properly connected and tightened.
- The PE must have an equal or larger cross section as the phase wire.



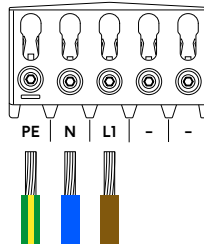
TN/TT 3-phase (3x 230/400 V)



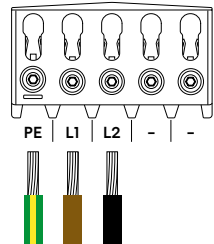
IT/TT 3-phase (3x 230 V)



TN 1-phase (230 V)



IT/TT 1-phase (230 V)



6 Backplate Configuring

- 1 Scan the QR code to download the Easee Installer App and create your free account.

NOTE

Your phone must support either NFC or Bluetooth.

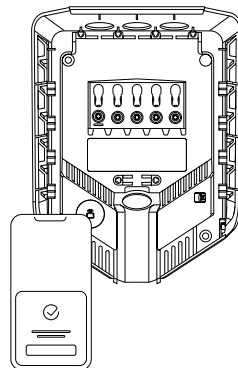
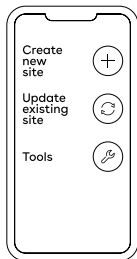


easee.com/installer-app

- 2 Select one of the two site setups in the Installer App:

Create new site: If this is a completely new charging site, select "Create new site". Enter the installation details, follow the on-screen instructions and return to this guide afterwards.

Update existing site: If this site already has one or more Charging Robots installed or if it has been created by an operator (Easee Charge), select "Update existing site" and search for the site address. On "Site overview", select the circuit that you want the backplate to be part of and select "Add another backplate". Follow the on-screen instructions and return to this guide afterwards.



7 Chargeberry Attaching

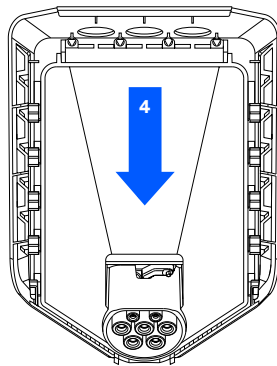
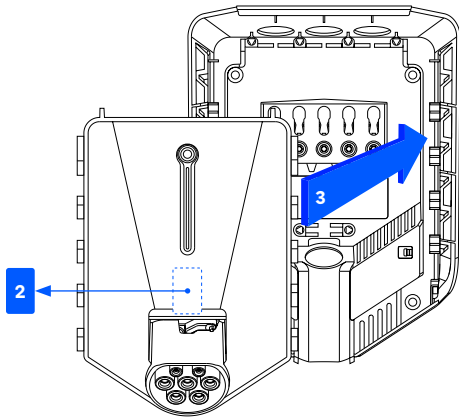
⚠ WARNING

Insulation testing must be performed **before** a Chargeberry is installed in the backplate. Testing the circuit insulation with the Chargeberry installed in the backplate may damage the electronics or impact the reading negatively.

- 1 Turn on the power. The terminals of the backplates are now electrically live.
- 2 Remove the PIN code sticker and attach it to the inside of the fuse cabinet, or another safe location for storage.
- 3 Position the Chargeberry to fit into the slots on the backplate located in the center of the installation.
- 4 When the Chargeberry is in the track, press it forcefully down until you hear a "CLICK".

NOTE

You do not need to touch the terminals of either the Chargeberry or the backplate when installing or removing the Chargeberry.



"CLICK!"

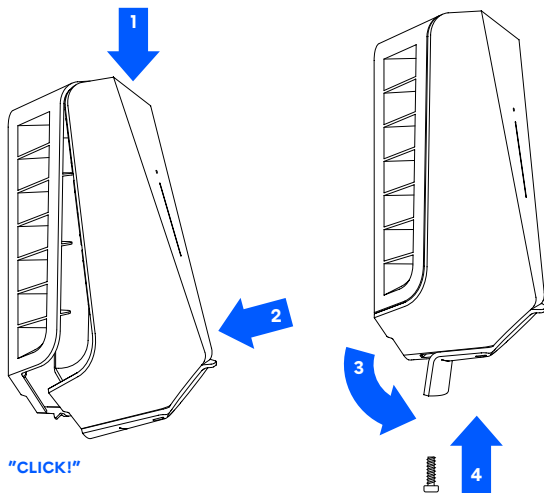
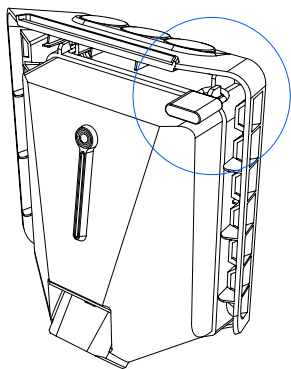
8 Front cover Closing

Front cover

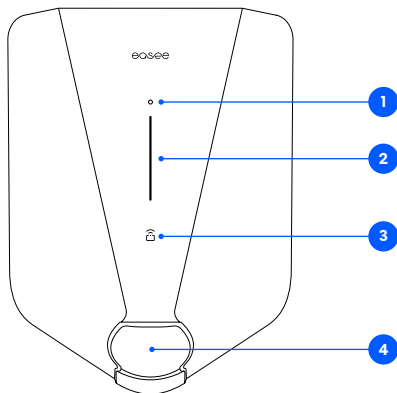
Before closing the front cover, it is possible to lock the Chargeberry with a padlock (see [Planning the installation](#)).

- 1 Hang the front cover at the top of the backplate and let it fall into place.
- 2 Press the bottom of the front cover until you hear a click.
- 3 Bend the lower part of the rubber cover down.
- 4 Screw in the front cover screw at the bottom of the charger to secure the front cover.
NOTE! The locking screw is necessary to secure the cover and protect the charger from exposure.
- 5 Close the rubber cover. If the cable is inserted from the bottom, you can cut a corresponding hole in the rubber cover to ensure a neat installation.

The charger is now ready for testing according to local regulations. Once complete, transfer ownership to the owner via the Installer App.



Features



1. **Touch button:** The touch button is used to activate the local interface. The local interface is intended for local operations of the charger when no internet is available. Read more about the local interface at: easee.com/support/localinterface
2. **Light strip:** The light strip communicates the status of the Charging Robot at all times. (See [Charging Robot interface](#)).
3. **RFID area:** The integrated RFID reader enables access control of the Charging Robot and identification of different users. You can use it to unlock the charger with an Easee Key. Check our knowledge base at easee.support for more details on how to add and manage your Easee Keys.
4. **Type 2 socket:** The Type 2 socket is completely universal and allows you to charge any type of electric vehicle using the appropriate charging cable. Furthermore, it is possible to permanently lock the charging cable, so you do not have to worry about it being stolen.

NOTE: Adaptors should not be used on the charger or the charging cable. The charging cable must have appropriate sockets on each end.

Charging Robot interface

Light description	Status
White - constant light, only at the bottom 2 LEDs - master unit / 1 LED - secondary units	Standby
White - constant light	Car connected
White - pulsating light	Charging in progress
Blue - constant light	Smart charging enabled (car connected)
Blue - pulsating light	Smart charging in progress
At startup, the LEDs turn on one by one. When the charger is updating, one or more LEDs will flash green while this is in progress.	Updating software (updating can take up to 30 minutes) NOTE! The car must be disconnected before a software update can be completed.
White - flashing light	Waiting for authentication by an RFID tag. Hold the RFID tag against the RFID area of the Charging Robot in order to authenticate and initiate the charging.
White - fast flashing light	RFID-tag received (awaiting key verification)
Red - flashing light, with warning sounds	⚠ WARNING Critical error! Turn off the power and remove the charging cable from the Charging Robot. The power can then be turned back on if necessary. The flashing red light will continue, but the warning sound will stop when the charging cable is disconnected. The charger is blocked from further use, cannot be reset and must be replaced. Contact customer support.
Red - flashing light	⚠ WARNING Critical error! The charger is blocked from further use, cannot be reset and must be replaced. Contact customer support.
Red - constant light	General error. Unplug the charging cable and replug it to the Charging Robot. If the red light persists, check the Easee App or our knowledge base ³ for further information.

³ Easee public knowledge base can be found at [easee.support](https://www.easee.com/support).

Light description	Status
Red - constant light, with warning sounds	Wires are connected incorrectly.
Red - pulsating light	The Charging Robot has measured an abnormal temperature and has entered in safe mode. Please go to our knowledge base ³ for further information.
Yellow - flashing light, only at the bottom	The Charging Robot is waiting to be configured.

³Easee public knowledge base can be found at easee.support.

The information in this document is for information purposes only, is provided as is, and may be subject to change without notice. Easee ASA, including its subsidiaries, does not accept any liability for the correctness or completeness of the information and illustrations, and is not liable or responsible for your considerations, assessments, decisions or absence of such, or other use of the information in this document.

No part of this publication may be re-published, reproduced, transmitted or re-used in any other form, by any means or in any form, for your own or any third-party's use, unless otherwise agreed with Easee or its subsidiaries in writing. Any permitted use shall always be done in accordance with good practice and ensure that no harm may be caused to Easee or by misleading the consumer.

Easee and Easee products, product names, trademarks and slogans, whether registered or not, are Easee's intellectual property and may not be used without Easee's prior written permission. All other products and services mentioned may be trademarks or service marks of their respective owners.

August 2023 – Version 1.01
© 2023 by Easee ASA. All rights reserved.



Easee ASA
Grenseveien 19
4313 Sandnes, Norway
www.easee.com