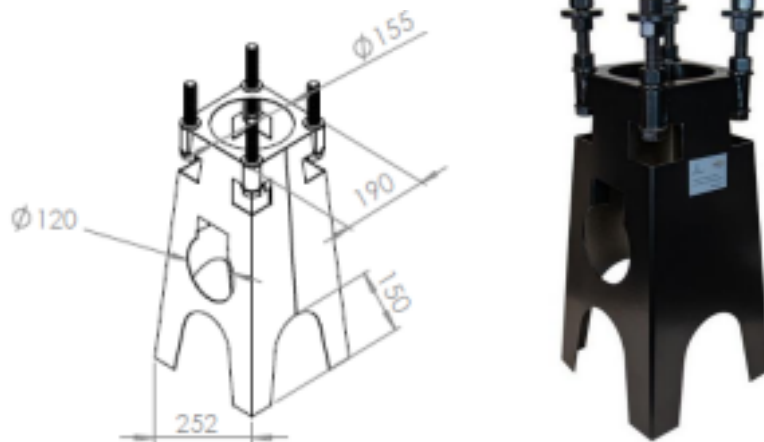


## Steel foundation for charging pole 500-160

Pretec steel foundation for charging station. Delivered with pre-mounted fasteners. Charging pole can easily be adjusted after installation. Two-sided cable slot.

Foundation is designed for double walled cable conduits  $\text{\O}50\text{mm}$ .

Color: Black, RAL 9005. Number per pallet: 24 pc.



### Technical Information:

Manufactured and CE marked acc. to NS EN 1090-1. Weight: 8,6 kg C-C distance bolts 160 mm.  
Foundation and fasteners with Pc-Coat™.

Installation is dependent on ground stability and type of backfill. Pretec Installation guideline for foundation is to be followed, available for download at [www.pretec.no](http://www.pretec.no)

### Fasteners:

4 hex bolts M20x170, grade 8.8, Pc Coat™  
12 Nuts M20 H=20mm, grade 8, Pc Coat™  
4 washers  $\text{\O}37 \times 3$ , Pc Coat™  
8 washers  $\text{\O}60 \times 4$ , Pc Coat™  
Fasteners are replaceable.

### Corrosion protection / Pc-Coat:

Hot-dip galvanization is carried out in compliance with NS-EN-ISO 1461 and epoxy powder coating in accordance with NS-EN 13438.